

**MITSUBISHI
FORKLIFT TRUCKS**

Engine Powered Forklift Trucks

2.0 - 3.5 tonnes



**FD/FG20NT
FG20ZNT
FD/FG25NT
FG25ZNT
FD/FG30NT
FD/FG35NT**

Characteristics													
1.1	Manufacturer (abbreviation)		Mitsubishi	Mitsubishi		Mitsubishi	Mitsubishi	Mitsubishi	Mitsubishi	Mitsubishi	Mitsubishi	Mitsubishi	Mitsubishi
1.2	Manufacturer's model designation		FD20NT	FD25NT		FD30NT	FD35NT	FG20NT	FG20ZNT	FG25NT	FG25ZNT	FG30NT	FG35NT
1.3	Power source: (battery, diesel, LP gas, petrol)		Diesel	Diesel		Diesel	Diesel	Petrol	Petrol	Petrol	Petrol	Petrol	Petrol
1.4	Operator type: pedestrian, (operator)-standing, -seated		Seated	Seated		Seated	Seated	Seated	Seated	Seated	Seated	Seated	Seated
1.5	Load capacity Q	Q	(kg)	2.000	2.500	3.000	3.500	2.000	2.000	2.500	2.500	3.000	3.500
1.6	Load centre distance	c	(mm)	500	500	500	500	500	500	500	500	500	500
1.8	Load distance, axle to fork face	x	(mm)	455	455	490	490	455	455	455	455	490	490
1.9	Wheelbase	y	(mm)	1600	1600	1700	1700	1600	1600	1600	1600	1700	1700
Weight													
2.1	Truck weight, without load / including battery (simplex mast, lowest lift height)		kg	3420	3710	4360	4770	3310	3310	3610	3610	4250	4660
2.2	Axle loading with maximum load, front/rear (simplex mast, lowest lift height)		kg	4690 / 730	5480 / 730	6530 / 830	7270 / 1000	4650 / 660	4650 / 660	5440 / 670	5440 / 670	6490 / 760	7220 / 940
2.3	Axle loading without load, front/rear (simplex mast, lowest lift height)		kg	1500 / 1920	1480 / 2230	1780 / 2580	1720 / 3050	1460 / 1850	1460 / 1850	1440 / 2170	1440 / 2170	1730 / 2520	1680 / 2980
Wheels, Drive Train													
3.1	Tyres: V=solid, L=pneumatic, SE=solid pneumatic - front/rear		L / L	L / L		L / L	L / L	L / L	L / L	L / L	L / L	L / L	L / L
3.2	Tyre dimensions, front			7.00-12-12PR	7.00-12-12PR	28x9-15-12PR	250-15-16PR	7.00-12-12PR	7.00-12-12PR	7.00-12-12PR	7.00-12-12PR	28x9-15-12PR	250-15-16PR
3.3	Tyre dimensions, rear			6.00-9-10PR	6.00-9-10PR	6.50-10-10PR	6.50-10-12PR	6.00-9-10PR	6.00-9-10PR	6.00-9-10PR	6.00-9-10PR	6.50-10-10PR	6.50-10-12PR
3.5	Number of wheels, front/rear (x=driven)			2x / 2	2x / 2	2x / 2	2x / 2	2x / 2	2x / 2	2x / 2	2x / 2	2x / 2	2x / 2
3.6	Track width (centre of tyres), front	b10	(mm)	960	960	1060	1060	960	960	960	960	1060	1060
3.7	Track width (centre of tyres), rear	b11	(mm)	980	980	980	980	980	980	980	980	980	980
Dimensions													
4.1	Mast tilt, forwards/backwards	α/β	°	6 / 12	6 / 12	6 / 12	6 / 12	6 / 12	6 / 12	6 / 12	6 / 12	6 / 12	6 / 12
4.2	Height with mast lowered (see tables)	h1	(mm)	1995	1995	2045	2180	1995	1995	1995	1995	2045	2180
4.3	Free lift (see tables)	h2	(mm)	100	100	105	105	100	100	100	100	105	105
4.4	Lift height (see tables)	h3	(mm)	3000	3000	3030	3000	3000	3000	3000	3000	3030	3000
4.5	Overall height with mast raised	h4	(mm)	4045	4045	4085	4055	4045	4045	4045	4045	4085	4055
4.7	Height to top of overhead guard	h6	(mm)	2070	2070	2095	2105	2070	2070	2070	2070	2095	2105
4.8	Seat height	h7	(mm)	1114	1114	1114	1114	1114	1114	1114	1114	1114	1114
4.12	Tow coupling height	h10	(mm)										
4.19	Overall length	l1	(mm)	3558	3625	3795	3860	3558	3558	3625	3625	3795	3860
4.20	Length to fork face (includes fork thickness)	l2	(mm)	2488	2555	2725	2790	2488	2488	2555	2555	2725	2790
4.21	Overall width	b1/b2	(mm)	1150	1150	1275	1290	1150	1150	1150	1150	1275	1290
4.22	Fork dimensions (thickness, width, length)	s,e,l	(mm)	40 x 110 x 1070	40 x 110 x 1070	45 x 125 x 1070	45 x 125 x 1070	40 x 110 x 1070	40 x 110 x 1070	40 x 110 x 1070	40 x 110 x 1070	45 x 125 x 1070	45 x 125 x 1070
4.23	Fork carriage to DIN 15 173 A/B/no			2A	2A	3A	3A	2A	2A	2A	2A	3A	3A
4.24	Fork carriage width	b3	(mm)	1000	1000	1000	1000	1000	1000	1000	1000	1000	1000
4.31	Ground clearance under mast, with load	m1	(mm)	115	115	135	135	115	115	115	115	135	135
4.32	Ground clearance at centre of wheelbase, with load (forks lowered)	m2	(mm)	135	135	165	170	135	135	135	135	165	170
4.33	Working aisle width with 1000 x 1200 mm pallets, crosswise	Ast	(mm)	3851	3888	4070	4130	3851	3851	3888	3888	4070	4130
4.34	Working aisle width with 800 x 1200 mm pallets, crosswise	Ast	(mm)										
4.35	Turning circle radius	Wa	(mm)	2196	2233	2380	2440	2196	2196	2233	2233	2380	2440
4.36	Minimum distance between centres of rotation	b13	(mm)										
Performance													
5.1	Travel speed, with/without load		km/h	19 / 19	19 / 19	19 / 19	19 / 19	19 / 19	19 / 19	19 / 19	19 / 19	19 / 19	19 / 19
5.2	Lifting speed, with/without load		m/s	0.64 / 0.67	0.64 / 0.67	0.51 / 0.54	0.43 / 0.46	0.51 / 0.60	0.59 / 0.68	0.51 / 0.60	0.59 / 0.68	0.47 / 0.51	0.40 / 0.43
5.3	Lowering speed, with/without load		m/s	0.50 / 0.50	0.50 / 0.50	0.53 / 0.50	0.42 / 0.40	0.50 / 0.50	0.50 / 0.50	0.50 / 0.50	0.50 / 0.50	0.53 / 0.50	0.42 / 0.40
5.5	Rated drawbar pull, with/without load		N	17200 / 16800	17000 / 16700	16600 / 16700	15800 / 15900	13700 / 13400	16200 / 15800	13500 / 13400	15900 / 15700	15800 / 15900	15000 / 15100
5.7	Gradeability, with/without load		%	35 / -	30 / -	24 / -	20 / -	27 / -	33 / -	23 / -	28 / -	23 / -	19 / -
5.9	Acceleration time (10 metres) with/without load		s										
5.10	Service brakes (mechanical/hydraulic/electric/pneumatic)			Hydraulic	Hydraulic	Hydraulic	Hydraulic	Hydraulic	Hydraulic	Hydraulic	Hydraulic	Hydraulic	Hydraulic
Electric motors													
7.1	Only Diesel & LPG Manufacturer / Type			S4S	S4S	S4S	S4S	K21	K25	K21	K25	K25	K25
7.2	Only Diesel & LPG Rated output to ISO 1585		kW	38.0	38.0	38.0	38.0	34.0	40.0	34.0	40.0	40.0	40.0
7.3	Only Diesel & LPG Rated speed to DIN 70 020		rpm	2300	2300	2300	2300	2200	2200	2200	2200	2200	2200
7.4	Only Diesel & LPG Number of cylinders / cubic capacity		/cm3	4 / 3331	4 / 3331	4 / 3331	4 / 3331	4 / 2065	4 / 2488	4 / 2065	4 / 2488	4 / 2488	4 / 2488
7.5	Only Diesel & LPG Fuel consumption according to VDI 60 cycle		l/h										
Miscellaneous													
8.1	Type of drive control			Powershift / 1	Powershift / 1	Powershift / 1	Powershift / 1	Powershift / 1	Powershift / 1	Powershift / 1	Powershift / 1	Powershift / 1	Powershift / 1
8.2	Maximum operating pressure for attachments		bar	181	181	181	181	181	181	181	181	181	181
8.3	Oil flow for attachments		l/min	75	75	73	73	68	76	68	76	73	73
8.4	Noise level, value at operator's ear (EN 12053)		dB(A)										
8.5	Towing coupling design / DIN type, ref.												

* 1st. speed † Dual tyres are optional



1 Clear-view mast with exceptionally narrow channels gives maximum forward visibility. **2 Comfortable driver compartment** offers a host of ergonomic features that increase productivity and reduce strain. **3 Low centre of gravity** increases stability for greater performance at higher lifts. **4 Downtime is minimised** thanks to long service intervals, easy maintenance access and high durability... even in the most hostile environments. **5 Attractive, modern styling** will appeal to drivers.

Mast Performance and Capacity

Mast type	FD/FG20(Z)NT-FD/FG25(Z)NT			FD/FG20(Z)NT		FD/FG25(Z)NT	
	h3 mm	h1 mm	h4 mm	h2/h5 mm	Q @ c=500mm kg	h2/h5 mm	Q @ c=500mm kg
Simplex	3000	1995	4055	100	2000	100	2500
	3300	2145	4355	100	2000	100	2500
	3740	2410	4795	100	2000	100	2500
	4100	2590	5155	100	2000	100	2500
	4500	2800	5555	100	1950	100	2450*
	5000	3050	6055	100	1900*	100	2350*
	5500	3300	6555	100	1850*	100	2250*
Duplex	3000	1995	4055	940	2000	940	2500
	3300	2145	4355	1090	2000	1090	2500
	3530	2270	4590	1210	2000	1210	2500
	4020	2590	5075	1535	2000	1535	2500
Triplex	3730	1805	4785	750	2000	750	2500
	4030	1905	5085	850	2000	850	2500
	4300	1995	5355	940	1950	940	2450
	4750	2145	5805	1090	1900	1090	2350*
	5060	2265	6115	1210	1850	1210	2300*
	5500	2410	6555	1355	1800	1355	2200*
	5990	2590	7045	1535	1750*	1535	2100*
	6500	2850	7555	1795	1650	1795	1750*
7000	3050	8055	1995	1250	1995	1250*	

- h1 Height with mast lowered
- h2 Standard free lift
- h3 Lift height
- h4 Height with mast raised
- h5 Full free lift
- Q Lifting capacity, rated load
- c Load centre (distance)

* Capacities shown require truck equipped with dual tyres. Consult your dealer for the maximum back tilt allowed, to obtain the capacities specified.

Mast Performance and Capacity

Mast type	FD/FG30NT					FD/FG35NT				
	h3 mm	h1 mm	h4 mm	h2/h5 mm	Q @ c=500mm kg	h3 mm	h1 mm	h4 mm	h2/h5 mm	Q@ c=500mm kg
Simplex	3030	2045	4085	100	3000	3000	2180	4055	100	3500
	3270	2165	4325	100	3000	3300	2300	4355	100	3500
	3700	2430	4755	100	3000	3720	2510	4775	100	3500
	4000	2610	5055	100	3000	4000	2765	5055	100	3500
	4500	2870	5555	100	2950	4500	3010	5555	100	3500
	5000	3120	6055	100	2850	5000	3260	6055	100	3400
	5500	3370	6555	100	2750					
Duplex	3000	2045	4055	990	3000	3010	2180	4065	1125	3500
	3250	2165	4305	1110	3000	3300	2300	4355	1245	3500
	3490	2290	4550	1230	3000	3500	2450	4560	1385	3500
	4010	2610	5065	1555	3000	4000	2765	5055	1710	3500
Triplex	3690	1825	4745	770	3000	3730	1940	4785	885	3500
	3990	1925	5045	870	3000	4010	2060	5065	1005	3500
	4320	2045	5375	990	3000	4390	2180	5445	1125	3500
	4700	2165	5755	1110	2900	4700	2300	5755	1245	3450
	5060	2285	6115	1230	2800	5030	2445	6085	1390	3350
	5450	2430	6505	1375	2750	5580	2625	6635	1570	3200*
	5970	2610	7025	1555	2400*	6000	2765	7055	1710	2400*
	6470	2870	7525	1815	1750*					
7000	3070	8055	2015	1250*						

All dimensions include load backrest. In case load backrest is not used h5 will increase by 390 (20, 25), 350 (30), 240 (35) mm, while h4 will decrease by 390 (20, 25), 350 (30), 240 (35) mm.



CESM1051AME (04-08) ok
© 2008 MCFE
Printed in The Netherlands

mitforklift@mcfe.nl
www.mitforklift.com

NOTE: Performance specifications may vary depending on standard manufacturing tolerances, vehicle condition, types of tyres, floor or surface conditions, applications or operating environment. Trucks may be shown with non-standard options. Specific performance requirements and locally available configurations should be discussed with your distributor of Mitsubishi forklift trucks. Mitsubishi follows a policy of continual product improvement. For this reason, some materials, options and specifications could change without notice.

Main features

Developed to help your driver achieve maximum productivity, the FD/FG NT series from Mitsubishi redefines the standard for IC engine counterbalance forklift trucks.

- *Fully floating powertrain ensures exceptionally low noise and vibration levels – reducing driver stress.*
- *State-of-the-art engines deliver outstanding performance while reducing noise, emissions and energy consumption.*
- *Fully hydrostatic steering with steering synchronisation for easy manoeuvring. Steering knob position on the steering wheel is always the same in relation to the steer wheels.*
- *Adjustable steering column with memory function helps guarantee optimum driving position, every time.*
- *Car-comfort, fully adjustable suspension seat is fitted with hip restraints, seatbelt (with indicator) and cut-out switch to prevent drive and lift/lower operations unless the driver is seated.*
- *Automotive style pedal layout with self-energising and self-adjusting drum brakes for easy operation with little effort.*
- *Mast cushioning device allows safe and comfortable lowering of load.*
- *Mast levelling option ensures safe, fast and precise operation whilst helping reduce the risk of product damage.*
- *High-visibility mast, fork carriage and head guard ensure excellent all-round vision.*
- *Long service interval – 500 hours – reduces cost of ownership and increases productivity.*

when reliability is everything

Developed for outstanding performance and genuine value for money, the awardwinning* range of Mitsubishi forklift trucks and warehouse equipment is built to a higher specification to maximize productivity and ensure utter reliability... whatever the application.

It's what you'd expect from one of the world's largest corporations whose companies are at the leading edge of technologies where performance, quality and dependability can never be compromised.

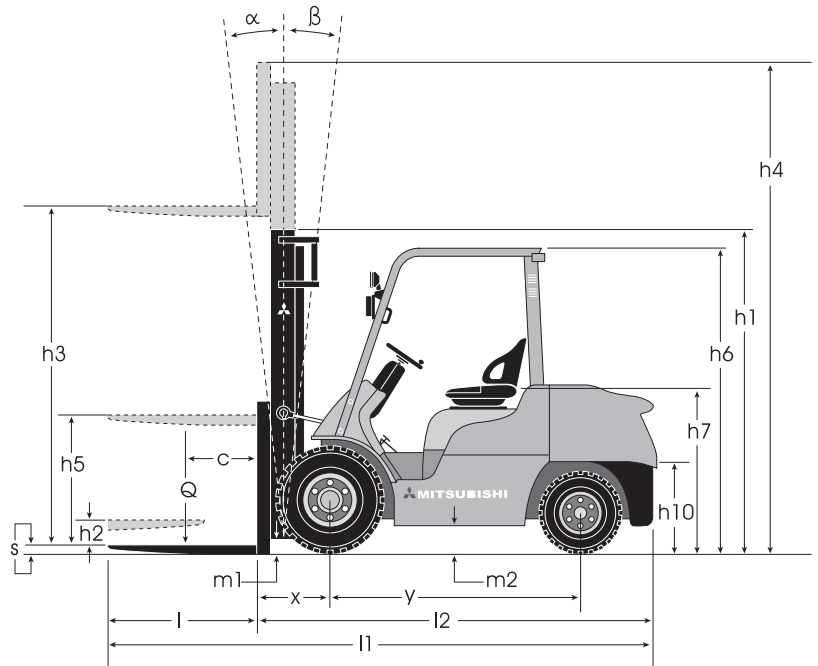
It means that, from a single safe source, we can meet 98% of all handling requirements, supplied to you via a range of competitive finance options including outright purchase, rental or leasing. So your local dealer can advise you on precisely the right product for your application... and your budget.

Moreover, because we understand how much you depend on your Mitsubishi forklift truck, we deliver the highest levels of customer support.

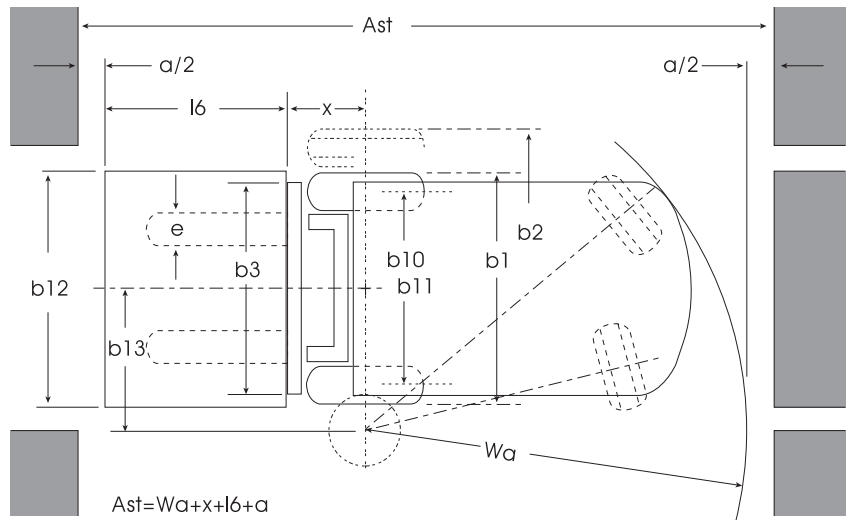
Through a network of carefully selected dealerships, we provide quality maintenance and customer care programmes including a choice of warranties that give complete peace of mind. Every dealership holds extensive stocks of manufacturer-approved parts, backed by a central store that holds literally millions of items constantly in stock and achieves a first-pick fulfilled rate of 97%. So your truck can be fixed first time, virtually every time.

You can find your nearest dealer at
www.mitforklift.com

* Mitsubishi Forklift Trucks has won **four** separate Fork Lift Truck Association Annual Awards for Excellence covering the areas of **Ergonomics**, the **Environment** and **Innovation**.



- $A_{st} = W_a + x + l_6 + a$
- A_{st} = Working aisle width with load
- a = Safety clearance (200 mm)
- l_6 = Pallet length (800 or 1000 mm)
- b_{12} = Pallet width (1200 mm)



Productivity is maximised by providing drivers with the perfect conditions and controls to do the job well.